

Low profile, general purpose AC & DC family with configurations for 1, 2, 3, or 4 poles with 10 amp contacts... plug-in, solder, or printed circuit connections

Selected Models



- Polycarbonate, molded clear dust cover has low moisture absorption and high impact strength
- Movable blade and panel assemblies utilize molded thermosetting white diallyl-phthalate for low moisture absorption, excellent dielectric strength, high arc tracking resistance, and broad temperature range
- Polyurethane insulated magnet wire for excellent insulation at high temperatures
- Low profile where mounting space is at a premium
- 10 amp rated contacts
- CSA certified file 35144
- All standard configurations recognized under the components program of Underwriters Laboratories, for use in industrial applications - UL file E73557, UL file E39906, and UL file E79139R

COIL SPECIFICATIONS

AC Coils

Rated Voltage	60 Hz Average Current MA.				50 Hz Average Current MA.				Coil Ohms			
	1C	2C	3C	4C	1C	2C	3C	4C	1C	2C	3C	4C
12	75	100	140	165	86	118	165	196	76.8	40.5	25.3	21.2
24	37	50	70	83	42	59.7	81	98	300	156.7	103	84.5
120	7.5	11	14.2	16.5	8.6	12.9	16.4	19.5	7680	4280	2770	2220

DC Coils

Rated Voltage	Average Current MA.				Coil Ohms			
	1C	2C	3C	4C	1C	2C	3C	4C
12	64	75	120	125	188	160	100	96
24	32	37	60	62	750	650	400	380

SPECIFICATIONS

Insulating Material: Molded thermosetting white diallyl-phthalate

Dust Cover: Molded clear polycarbonate

Coil Winding: Polyurethane coated copper magnet wire

Insulation Resistance: 100 megohms min.

Dielectric Strength:

- 2000 VAC between current carrying members and frame
- 2000 VAC between contacts and coil
- 1500 VAC between contact sets
- 1000 VAC between open contacts

Temperature Range: -22° to 158°F (-30° to +70°C)

Life Expectancy Mechanical: 50 million operations

Electrical: 500,000 operations

- 10 amp, 120 VAC resistive, 2 pole
- 200,000 operations
- 10 amp, 120 VAC resistive
- 1-3-4 pole

Pull-In/Drop-Out: 1C and 2C: 20 ms max.
3C and 4C: 25 ms max.

Pull-In Voltage: 80% of nominal at 68°F (20°C)

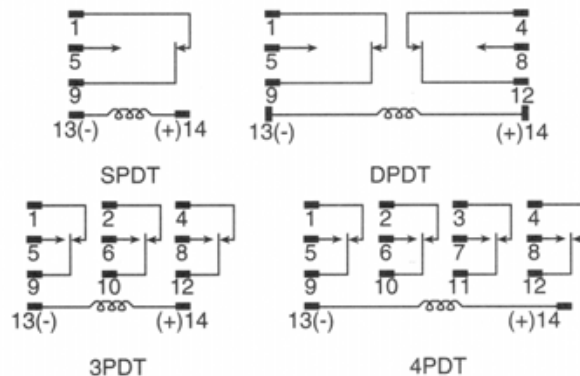
Shock: 1C and 2C: 20G; 3C and 4C: 10G

Duty Cycle: Continuous

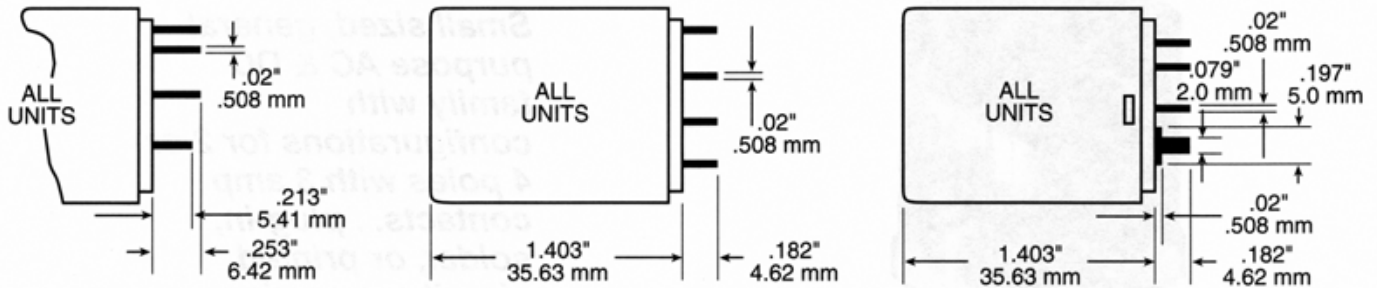
Contact Rating

Materials	Rating
Silver Cadmium Oxide	10 amp, 125 VA, 125 VAC, 240 VA, 250 VAC
(AgCdO)	1/6 HP, 120 VAC

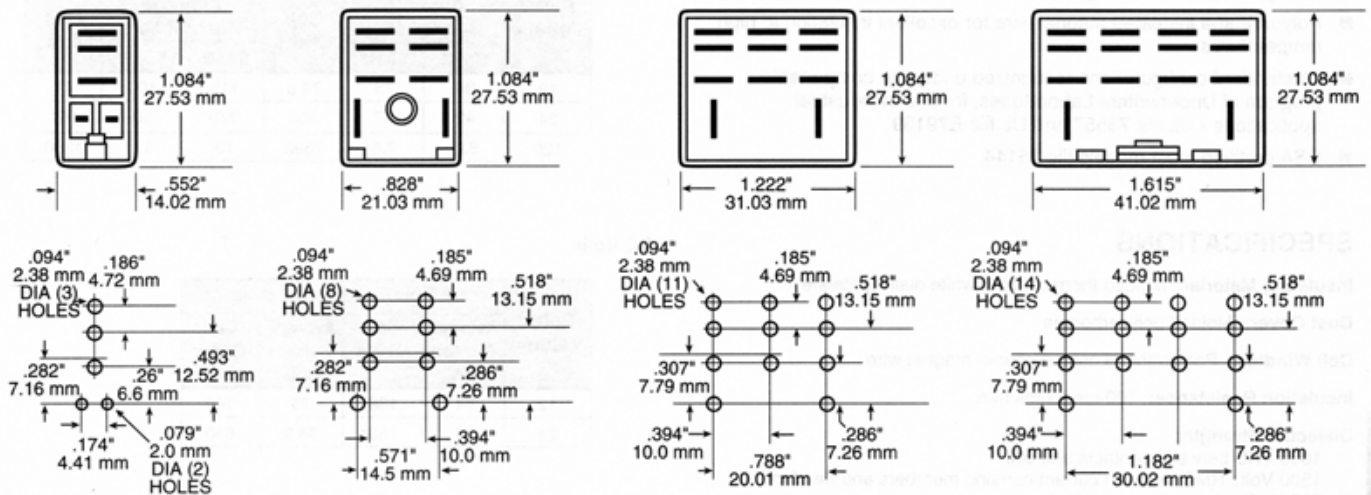
CONTACTS



11 RELAYS AND ACCESSORIES



Sockets	Retainers	Sockets	Retainers	Sockets	Retainers	Sockets	Retainers
60SH1B05	60SY2S02F1	60SH2B05 60SH2B62	60SY4S02F1 60SY4S51F1 60RH-01	60SH3B05	60SH3B05F1	60SH4B05	60SH4B02F1



ORDERING INFORMATION

RELAY TYPE

Sym.	Description
16Q	General Purpose Solder/.187 Plug-In Type Terminals

CONTACT FORMS

Sym.	Description
1C	SPDT
2C	DPDT
3C	3PDT
4C	4PDT

COIL VOLTAGE TYPE

Sym.	Description
A	Alternating Current
D	Direct Current

RATED VOLTAGES

Sym.	Description
012	12V (AC or DC)
024	24V (AC or DC)
120	120 VAC

FEATURES

Sym.	Description
00 (or Blank)	Standard Relay
02	Indicating Light (Special order 2 & 4 pole only)

Ordering code: **16Q 2C A 120 00**